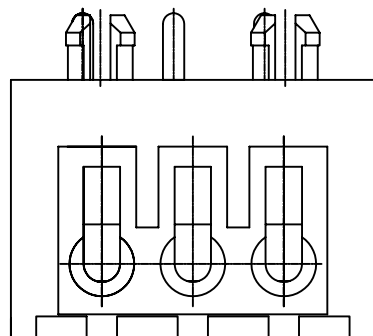
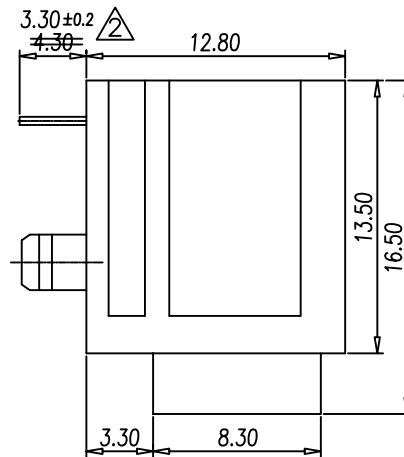
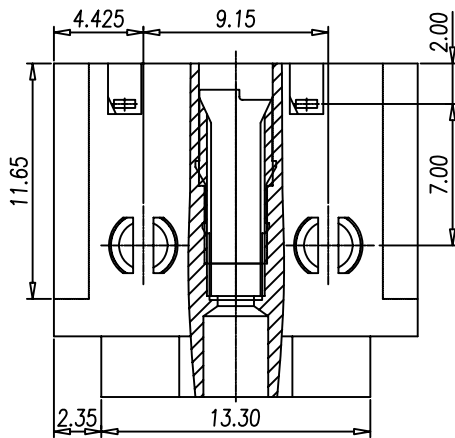
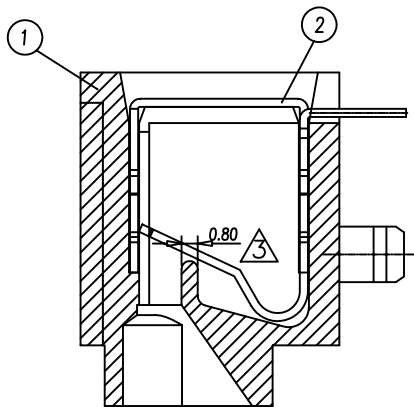


**P.C.B. LAYOUT**



**NOTES:**

1. Rating: xxx V xx A  
PITCH: 4.50mm
2. Insulation Withstands Voltage:  
AC 2000V/MIN
3. Insulation Resistance:  
1000MΩ or more at DC500V
4. Using Temperature Range:  
-40°C~+130°C
5. Undimensioned Tolerances:

—	∩	∇	0.05/10
⊥	//	≡	0.2/10
PITCH ERROR			0.05/10
UNDIMENSIONED TOLERANCES			±0.3

2	CLAMP	0032B00600	3	BRONZE	Tin Plated
1	HOUSING	0032A50100	1	PBT(G15)	WHITE
ITEM	NAME OF PART	NO. OF PART	Q'TY	MATERIAL	NOTES
DWG.	<b>L H J</b>	DATE <b>02.04.30</b>	UNITS	MM	SHEET/OF <b>1/1</b>
CHK.		DATE	SCALE	<b>3.5:1</b> ( : )	⊕
APP.		DATE			
				NAME	<b>0032-0503R</b>
				DWG NO.	SP-02-0032503R

△	客户要求	YFY	03.06.26
REV.	CONTENT	CHK.	DATE



**DINKLE**

**DINKLE ENTERPRISE CO.,LTD**