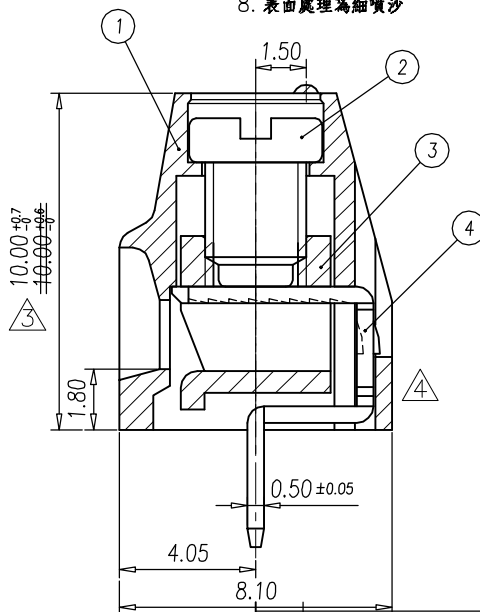
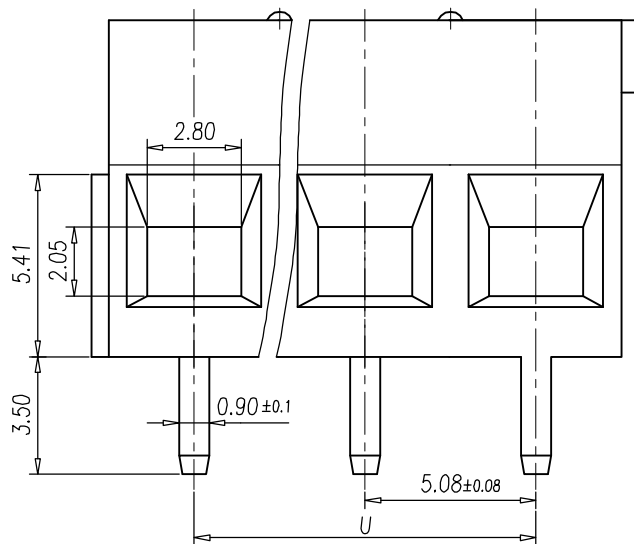
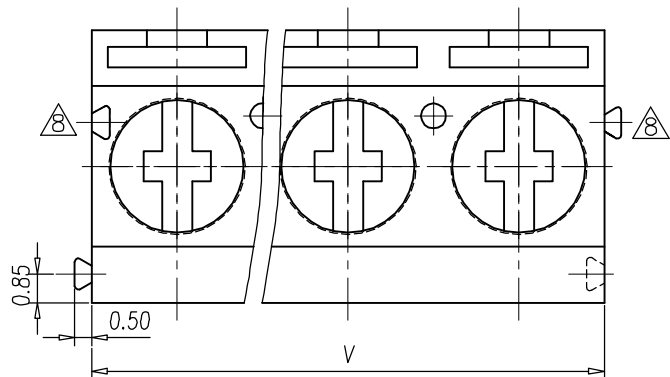
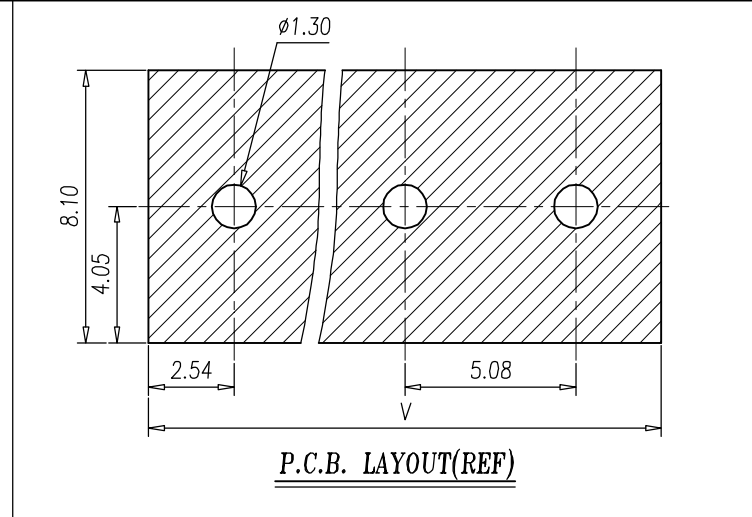


NOTES:

- Rating: 300V 13.5A
PITCH: 5.08mm
- Insulation Withstands Voltage:
AC 1500V/MIN
- Insulation Resistance:
500MΩ or more at DC500V
- Using Temperature Range:
-40°C~+105°C
- Screw Torque Value: $5\text{kgf}\cdot\text{cm}$
 $5.5\text{kgf}\cdot\text{cm}$
 $8\text{kgf}\cdot\text{cm}$
- Suitable Electric Wire:
~~AWG 26~16~~
~~AWG 26~18~~
AWG 30~14
- Undimensioned Tolerances:

—	∩	∇	0.05/10
⊥	//	≡	0.2/10
PITCH ERROR			0.05/10
UNDIMENSIONS TOLERANCES			±0.3

8. 表面處理為細噴沙



P	2	3	4	5	6	7	8	9	10	11	12	13
U	5.08	10.16	15.24	20.32	25.40	30.48	35.56	40.64	45.72	50.80	55.88	60.96
V	10.16	15.24	20.32	25.40	30.48	35.56	40.64	45.72	50.80	55.88	60.96	66.04
P	14	15	16	17	Tolerances for PITCH ERROR							
U	66.04	71.12	76.20	81.28								
V	71.12	76.20	81.28	86.36								

- ⑥ 9.3P~17P 通過了VDE 認證
10.2P 通過VDE 認證的是ELK508V-2483, 結構有變。

④	4	SOLDER PIN	0068B00100	P	BRASS COPPER	Sn Plated
	3	WIRE CAGE	X000005400	P	STEEL	M2.5/Zn Plated
	2	SCREW	S000025300	P	STEEL	M2.5/Zn Plated

⑧	工程變更(加裝尾槽)	JW	05.09.15	1	HOUSING	0068A00000	1	PA66	GREEN
⑦	產品更新	Yy	04.11.03	ITEM	NAME OF PART	NO. OF PART	Q'TY	MATERIAL	NOTES
⑥	產品更新	YFY	04.04.12	DWG.	梁紅英	DATE	01.07.11	UNITS	MM SHEET/OF 1/1
⑤	工程變更	YFY	03.12.30	CHK.		DATE		SCALE	6:1 (:)
④	工程變更	YFY	02.12.27	APP.		DATE		NAME	ELK508V-□□P
③	工程變更	YFY	02.07.09						ELK508V-□□P(P)
REV.	CONTENT	CHK.	DATE	DINKLE ENTERPRISE CO.,LTD		DWG NO.	SP-02-ELK508VP		