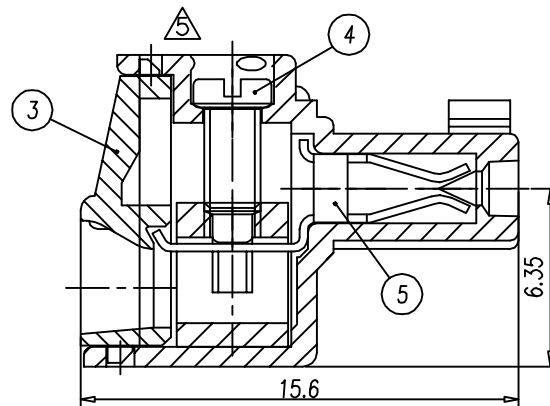
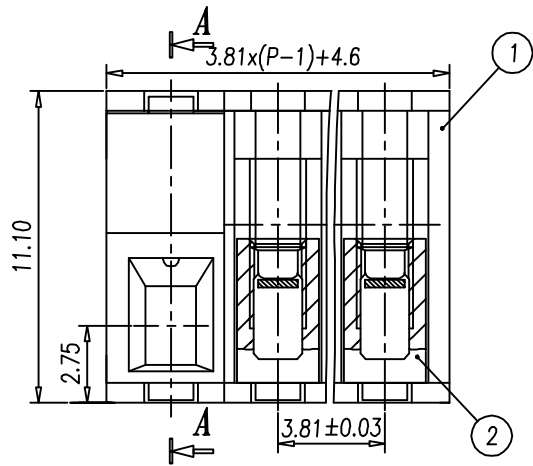
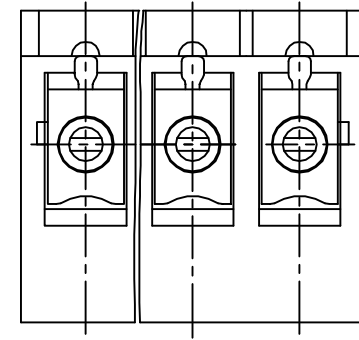


- △ NOTES:
- Rating: ~~60V~~ 300V 8A
PITCH: 3.81mm
 - Insulation Withstands Voltage: AC 1000V/MIN
 - Insulation Resistance: 1000MΩ or more at DC500V
 - Using Temperature Range: ~~-40°C~+130°C~~
-40°C~+120°C
 - Screw Torque Value: 2kgf-cm(MAX)
 - Suitable Electric Wire: AWG 22~16
 - Undimensioned Tolerances:

—	∧	∇	0.05/10
⊥	//	≡	0.2/10
PITCH ERROR			0.05/10
UNDIMENSIONS TOLERANCES			±0.3



SECTION A-A



5	CLAMP	0070B00100	P	BRONZE	
4	SCREW1	S000010200	P	STEEL	M2/Zn Plated
3	END COVER	0070L00000	1	PBT	GREEN
2	WIRE CAGE △	X000007400 X000002700	P	HARD BRASS	△ M2/Ni Plated M2/Zn Plated
1	HOUSING	0070A00000	1	PBT	GREEN

△8	工程變更	TXK	04.02.13	ITEM	NAME OF PART	NO. OF PART	Q'TY	MATERIAL	NOTES
△7	工程變更	YFY	03.10.09	DWG.	梁瓊耀	DATE 99,02,28	UNITS	MM	SHEET/OF 1/1
△6	工程變更	YFY	03.06.13	CHK.		DATE	SCALE	5:1 (:)	⊕ ⊞
△5	工程變更	YAO	01,10,22	APP.		DATE			
△4	工程變更	XJIANG	01.01.04						
REV.	CONTENT	CHK.	DATE	DINKLE ENTERPRISE CO.,LTD		NAME		△ EC381V-□□P	
				DINKLE		DWG NO.		SP-02-EC381V00	