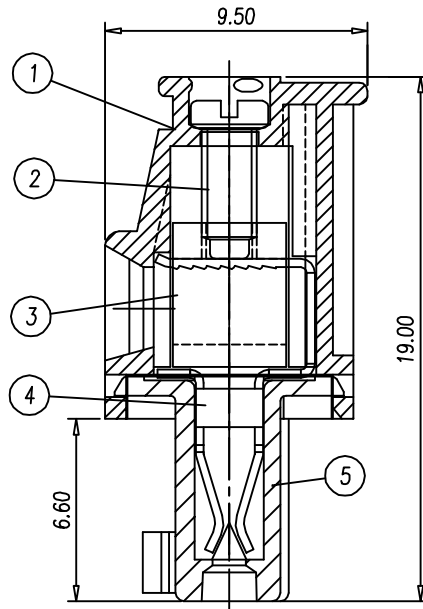
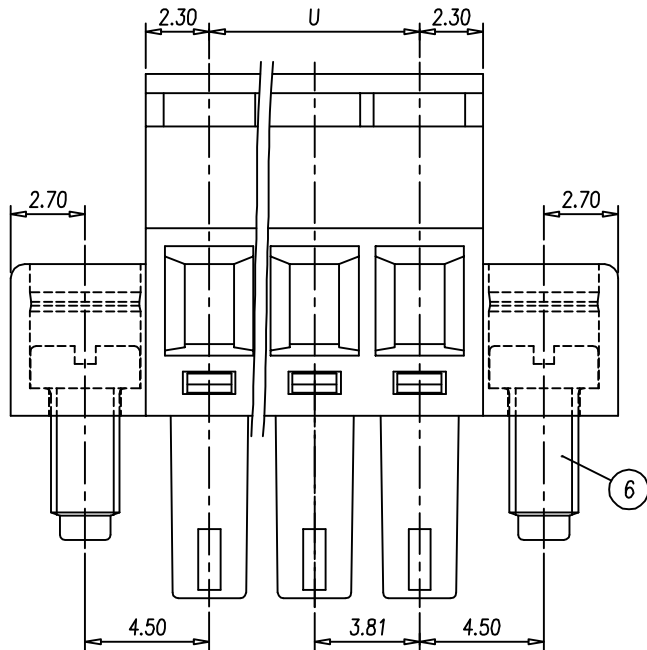


P	2	3	4	5	6	7	8	9	10	11	12
U	3.81	7.62	11.43	15.24	19.05	22.86	26.67	30.48	34.29	38.10	41.91
V	18.21	22.02	25.83	29.64	33.45	37.26	41.07	44.88	48.69	52.50	56.31
P	13	14	15	16	17	18	19	20	△		
U	45.72	49.53	53.34	57.15	60.96	64.77	68.58	72.39			
V	60.12	63.93	67.74	71.55	75.36	79.17	82.98	86.79			
Tolerances for PITCH ERROR											



NOTES:

- Rating: ~~160V~~ 300V 8A △
PITCH: 3.81mm
- Insulation Withstands Voltage: AC 1000V/MIN
- Insulation Resistance: 1000MΩ or more at DC500V
- Using Temperature Range: ~~-40°C~+130°C~~
-40°C~+120°C
- Screw Torque Value: 2kgf-cm(MAX)
- Suitable Electric Wire: AWG 22~16
- Undimensioned Tolerances:

—	∩	∇	0.05/10
∩	∇	∩	0.2/10
PITCH ERROR			0.05/10
UNDIMENSIONED TOLERANCES			±0.3

△	6	SCREW2	S000003400	2	STEEL	M2.5/Zn Plated
△	5	BASE HOUSING	0070P6XX00	1	PBT	>6P GREEN
			0070A4XX00	1	PBT	≤6P GREEN
	4	CLAMP	0070B00400	P	BRONZE	
△	3	WIRE CAGE	X000007400 X000002700	P	HARD BRASS	M2/Ni Plated M2/Tin Plated
	2	SCREW1	S000010200	P	STEEL	M2/Zn Plated

△	10	產品更新	TXK	04.02.13	1	TOP HOUSING	0070P3XX00	1	PBT	GREEN	
△	9	工程變更	YFY	03.10.09	ITEM	NAME OF PART	NO. OF PART	Q'TY	MATERIAL	NOTES	
△	8	工程變更	YFY	03.06.17	DWG.	YAO	DATE	00,08,15	UNITS	MM SHEET/OF 1/2	
△	7	工程變更	YFY	03.06.13	CHK.		DATE		SCALE	5:1 (:) ⊕ ⊞	
△	6	工程變更	葉紅英	01.10.31	APP.		DATE		NAME	EC381RM-□□P	
△	5	工程變更	葉紅英	01.7.25							
REV.		CONTENT	CHK.	DATE	DINKLE ENTERPRISE CO.,LTD				DWG NO.	SP-02-EC381RMP	