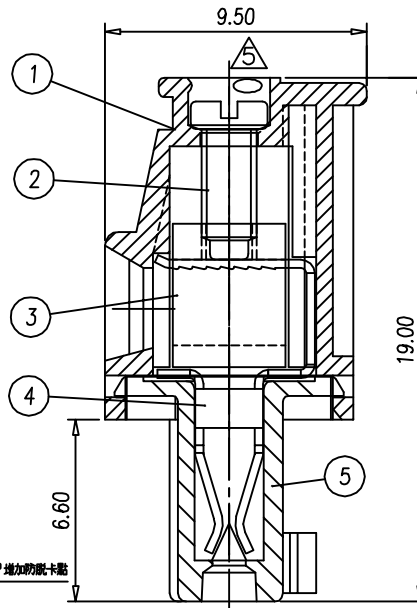


△3	P	2	3	4	5	6	7	8	9	10	11	12
	U	3.81	7.62	11.43	15.24	19.05	22.86	26.67	30.48	34.29	38.10	41.91
	V	8.41	12.22	16.03	19.84	23.65	27.46	31.27	35.08	38.89	42.70	46.51
	P	13	14	15	16	17	18	19	20			
	U	45.72	49.53	53.34	57.15	60.96	64.77	68.58	72.39			
	V	50.32	54.13	57.94	61.75	65.56	69.37	73.18	76.99			

Tolerances for PITCH ERROR



- NOTES:
- Rating: ~~160~~ 300 V 8 A △
PITCH: 3.81 mm
 - Insulation Withstands Voltage: AC 1000 V/MIN
 - Insulation Resistance: 1000MΩ or more at DC500V
 - Using Temperature Range: ~~-40°C~+130°C~~
-40°C~+120°C
 - Suitable Electric Wire: AWG 22~16
 - Undimensioned Tolerances:

—	∩	∇	0.05/10
⊥	//	≡	0.2/10
PITCH ERROR			0.05/10
UNDIMENSIONS			±0.3
TOLERANCES			

5	BASE HOUSING	0070P6XX00	1	PBT	GREEN
4	CLAMP	0070B00400	P	BRONZE	
3	WIRE CAGE △9	X000007400 X000002700	P	HARD BRASS	M2/Ni Plated M2/Tin Plated
2	SCREW1	S000010200	P	STEEL	M2/Zn Plated

△9	產品更新	TXK	04.02.13	1	TOP HOUSING	0070C0XX00	1	PBT	GREEN			
△8	工程變更	YFY	03.10.09	ITEM	NAME OF PART	NO. OF PART	Q'TY	MATERIAL	NOTES			
△7	工程變更	YFY	03.06.17	DWG.	YAO	DATE	00,08,15	UNITS	MM	SHEET/OF	1/3	
△6	工程變更	YFY	03.06.13	CHK.		DATE		SCALE	5:1 (:)	⊕ ⊞		
△5	工程變更	梁紅英	01.10.31	APP.		DATE		NAME	△ EC381RL-□□P			
△4	工程變更	梁紅英	01.6.11						EC381R-□□P			
REV.	CONTENT	CHK.	DATE	DINKLE ENTERPRISE CO.,LTD				DWG NO.	SP-02-EC381RL0			