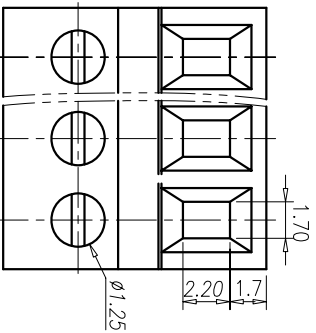


ST381(3P)

- NOTES:
1. Rating: \triangle 300V \triangle 8 A
PITCH: 3.81 mm
 2. Insulation Withstands Voltage: AC 2500V/MIN
 3. Insulation Resistance: 500M Ω or more at DC500V
 4. Using Temperature Range: \triangle -40°C~+105°C \triangle \triangle 2.9 \triangle
 5. Screw Torque Value: \triangle 2.9 \triangle 16~30 \triangle 28 \triangle
 6. Suitable Electric Wire: AWG #~~16~~~30 \triangle
 7. Undimensioned Tolerances: \triangle

\triangle	\triangle	\triangle	0.05/10
\triangle	\triangle	\triangle	0.2/10
\triangle	\triangle	\triangle	0.05/10
\triangle	\triangle	\triangle	±0.3



\triangle	工程變更	XM	07.03.28
\triangle	工程變更	XM	06.11.24
\triangle	工程變更	H J	06.04.17

ITEM	NAME OF PART	NO. OF PART	Q'TY	MATERIAL	NOTES
6	COVER	0070C7XX00	1	PA	GREEN
5	SOLDER PIN	0070B01200	P	BRONZE	Ni Plated
4	WIRE-CAGE	X000007600	P	Steel	Zn Plated
3	CLAMP	0070B01300	P	SPCC	Zn Plated
2	SCREW	S000010200	P	Steel	Zn Plated
1	HOUSING	0070P9XX00	1	PA	GREEN

DWG.	Y.Y	DATE	04.06.07	UNITS	MM	SHEET/OF	1/1
CHK.		DATE		SCALE	4:1		
APP.		DATE		NAME	EC381F-XXP		

DINKLE ENTERPRISE CO., LTD DWG NO. SP-02-EC381FEXP