

MS767 Pressure Sensor Die (0-7 bar)



- 0 to 700 kPa range (7 bar or 102 PSI)
- Absolute/differential pressure sensors
- High Sensitivity
- High RoHS-compatible & Pb-free¹

DESCRIPTION

The sensor element of the MS767 consists of a silicon micro-machined membrane. Implanted resistors make use of the piezo-resistive effect to sense the membrane deflection and transform it in an electrical signal. This sensor, which has outstanding span values, is available in various configurations. The absolute pressure sensor employs a sealed vacuum reference cavity underneath the membrane. Pyrex glass wafer used for this sealing has a thickness of 0.2 mm (MS767-A_0.2) or 0.5 mm (MS767-A_0.5). There are two gauge versions available: one with a drilled Pyrex glass (MS767-D) and the other without Pyrex glass (MS767-S).

FEATURES

- Uncompensated pressure sensor die
- Output Span 392 mV @ 5 V
- Temperature Range -40 °C ... + 125 °C
- Linearity 0.15 % (typical)
- Small die size 1.72 x 1.58 mm² (MS767-A)
- Low cost, high reliability

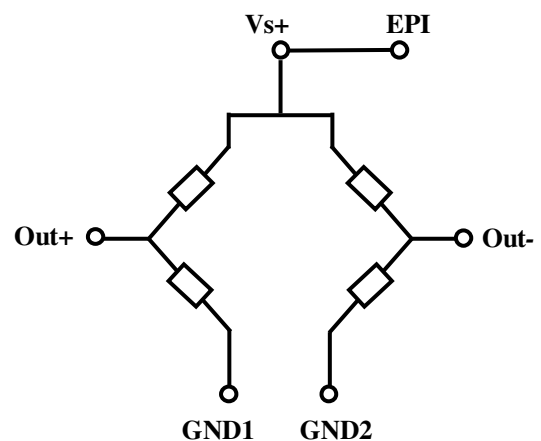
APPLICATIONS

- For absolute or differential pressure sensor systems
- Tire pressure measurements
- Electronic scales

ELECTRICAL CONNECTIONS

Positive output for pressure applied topside

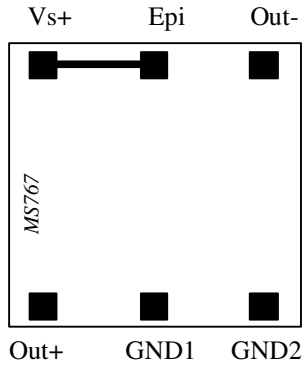
- Vs+: Supply voltage of Wheatstone bridge
- Epi: Connection of epitaxial layer (membrane)
- Out-: Negative output
- Out+: Positive output
- GND1: Ground
- GND2: Ground



¹ The European RoHS directive 2002/95/EC (Restriction of the use of certain Hazardous Substances in electrical and electronic equipment) bans the use of lead, mercury, cadmium, hexavalent chromium and polybrominated biphenyls (PBB) or polybrominated diphenyl ethers (PBDE).

MS767 Pressure Sensor Die (0-7 bar)

BOND PAD CONFIGURATION



Important remarks:

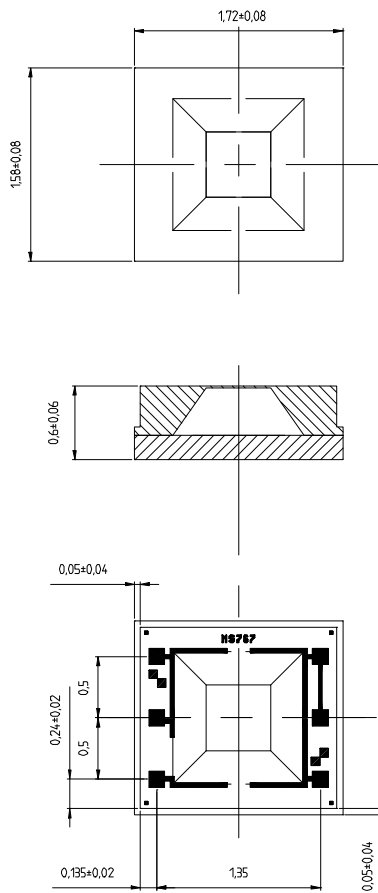
As the sensing elements are diffused resistances, the voltage applied on the ground pads (GND1 and GND2) has to be lower than the voltage applied on supply voltage pad (Vs+).

The epitaxial layer is connected to the Vs+ pin on the die.

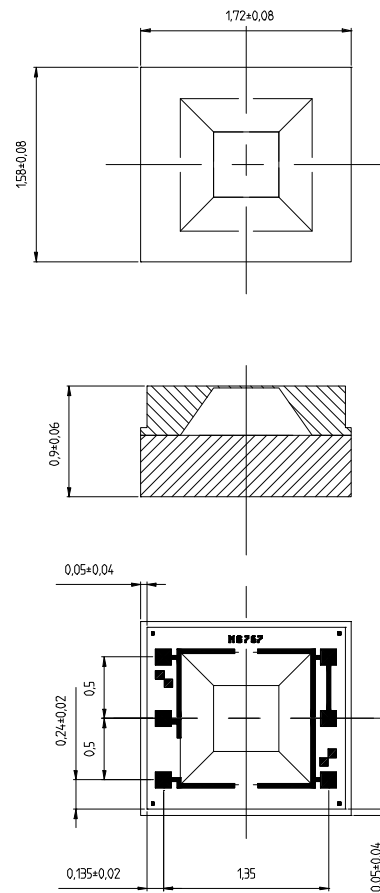
Gold ball bonding or aluminum wedge bonding can be used to wire-bond the sensor. The quality of the wire-bonding is equipment and process dependant. For this reason, it is strongly recommended that a thorough wire-bonding qualification is made by the end user if the sensor is going to be operated over an extended temperature range.

LAYOUT (ABSOLUTE SENSORS)

MS767-A_0.2



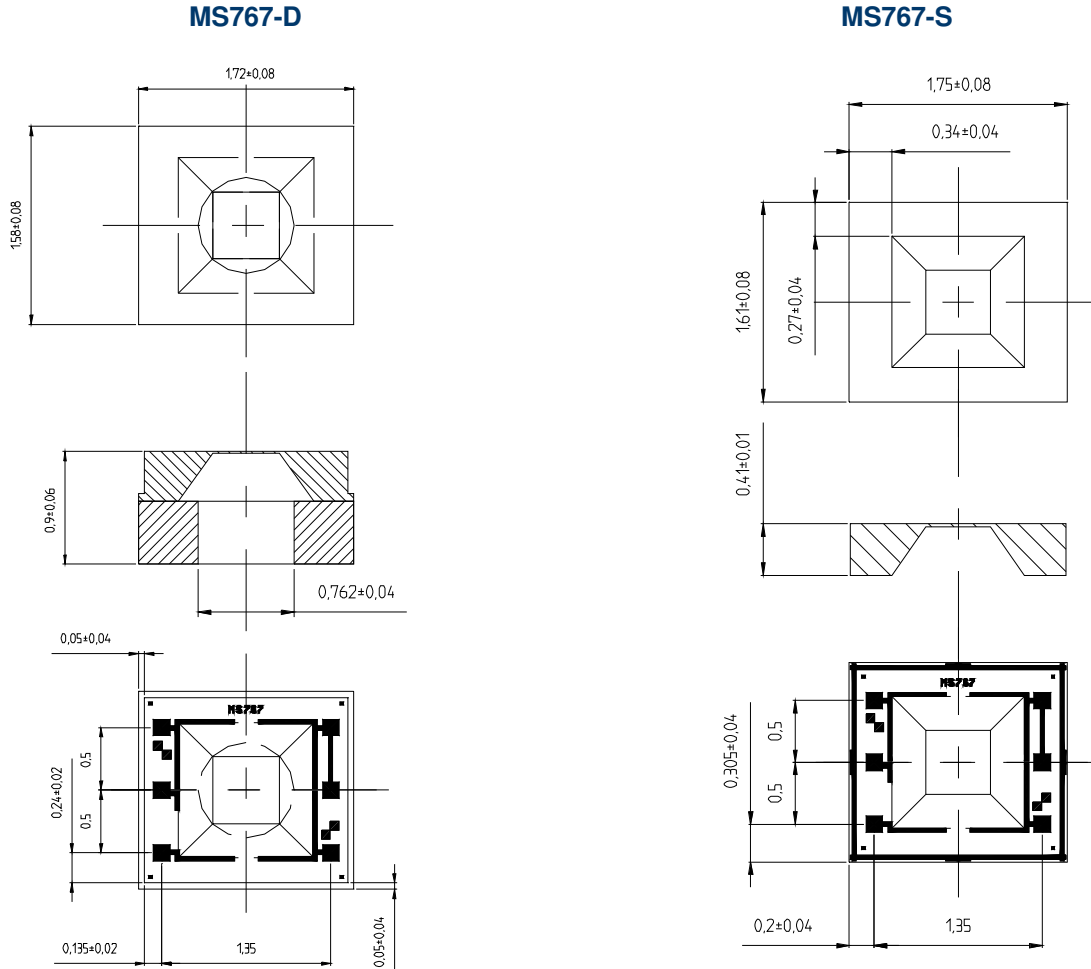
MS767-A_0.5



Pad opening in passivation is 100 µm

MS767 Pressure Sensor Die (0-7 bar)

LAYOUT (GAUGE SENSORS)



Pad opening in passivation is 100 µm

FULL SCALE PRESSURE

kPa	bar	mbar	PSI	atm	mm Hg	m H ₂ O	Inches H ₂ O
700	7	7000	102	6.9	5250	71	2810

ABSOLUTE MAXIMUM RATINGS

Parameter	Symbol	Conditions	Min	Max	Unit
Supply voltage	V _{s+}	T _a = 25 °C		20	V
Storage temperature	T _s		-40	+150	°C
Pressure overload				21	bar

MS767 Pressure Sensor Die (0-7 bar)

ELECTRICAL CHARACTERISTICS

(Reference conditions: Supply voltage $V_{s+} = 5 \text{ Vdc}$; Ambient Temperature $T_a = 25^\circ\text{C}$)

Parameter	Min	Typ	Max	Unit	Notes
Operating Pressure Range	0		7	bar	
Operating Temperature Range	-40		125	$^\circ\text{C}$	
Bridge Resistance	3.0	3.4	3.8	$\text{k}\Omega$	
Full-scale span (FS)	322	392	462	mV	
Zero Pressure Offset	-40	0	40	mV	
Linearity		± 0.15	± 0.40	% FS	1
Temperature Coefficient of Resistance	+2400	+ 2800	+ 3300	ppm/ $^\circ\text{C}$	2
Span	-1500	- 1900	- 2300	ppm/ $^\circ\text{C}$	
Offset	-80		+ 80	$\mu\text{V}/^\circ\text{C}$	
Pressure Hysteresis		± 0.05	± 0.15	% FS	3
Repeatability		± 0.1	± 0.2	% FS	4
Temperature Hysteresis			0.3	% FS	5

NOTES

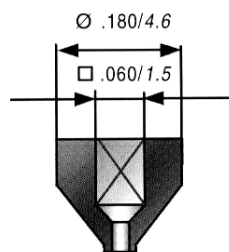
- 1) Deviation at one half full-scale pressure from the least squares best line fit over pressure range (0 to 7 bar).
- 2) Slope of the endpoint straight line from 25°C to 60°C .
- 3) Output deviation at any pressure within the specified range, when this pressure is cycled to and from the minimum or maximum rated pressure, at 25°C .
- 4) Same as 3) after 10 pressure cycles.
- 5) Maximum difference in offset after one thermal cycle from -40°C to $+125^\circ\text{C}$.

PICKING TOOLS

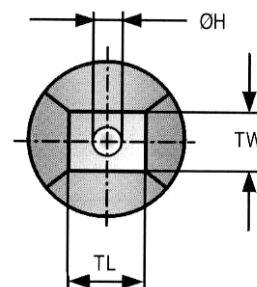
The MS767 sensors have a sensitive membrane size of $0.5 \times 0.5 \text{ mm}$ and outer dimensions of $1.72 \times 1.58 \text{ mm}$ (MS767-A_0.2, MS767-A_0.5 and MS767-D) and $1.75 \times 1.61 \text{ mm}$ (MS767-S). The pick and place tool has to be of a soft material such as rubber (Hardness 78-97 Shore A). Its external size must fit the sensor and the vacuum cavity must be as large as the membrane itself. Successful tests have been made with specific SPT tools, see SPT drawing and references below. Ensure that the ejection pins do not touch the membrane for gauge versions.

Ensure that the ejection pins do not touch the membrane for gauge versions.

SPT references	RTR-A1-060x060
External dimension	TL & TW: 0.06 inch / 1.52 mm
Internal dimensions	$\varnothing\text{H}$: 0.035 inch / 0.89 mm



Type A



MS767 Pressure Sensor Die (0-7 bar)

ORDERING INFORMATION

Product code	Type	Product	Art.-Nr.
MS767-A_0.2	Absolute	7 bar Pressure Sensors 0.2 mm Pyrex sawn on b/f	76725022
MS767-A_0.5	Absolute	7 bar Pressure Sensors 0.5 mm Pyrex sawn on b/f	76725025
MS767-D	Differential	7 bar Pressure Sensors sawn on b/f	76725125
MS767-S	Differential	7 bar Pressure Sensors no Pyrex sawn on b/f	76725225

The MS767 dice are supplied sawn on blue foil, mounted on plastic rings.

The information in this sheet has been carefully reviewed and is believed to be accurate; however, no responsibility is assumed for inaccuracies. Furthermore, this information does not convey to the purchaser of such devices any license under the patent rights to the manufacturer. Measurement Specialties, Inc. reserves the right to make changes without further notice to any product herein. Measurement Specialties, Inc. makes no warranty, representation or guarantee regarding the suitability of its product for any particular purpose, nor does Measurement Specialties, Inc. assume any liability arising out of the application or use of any product or circuit and specifically disclaims any and all liability, including without limitation consequential or incidental damages. Typical parameters can and do vary in different applications. All operating parameters must be validated for each customer application by customer's technical experts. Measurement Specialties, Inc. does not convey any license under its patent rights nor the rights of others.