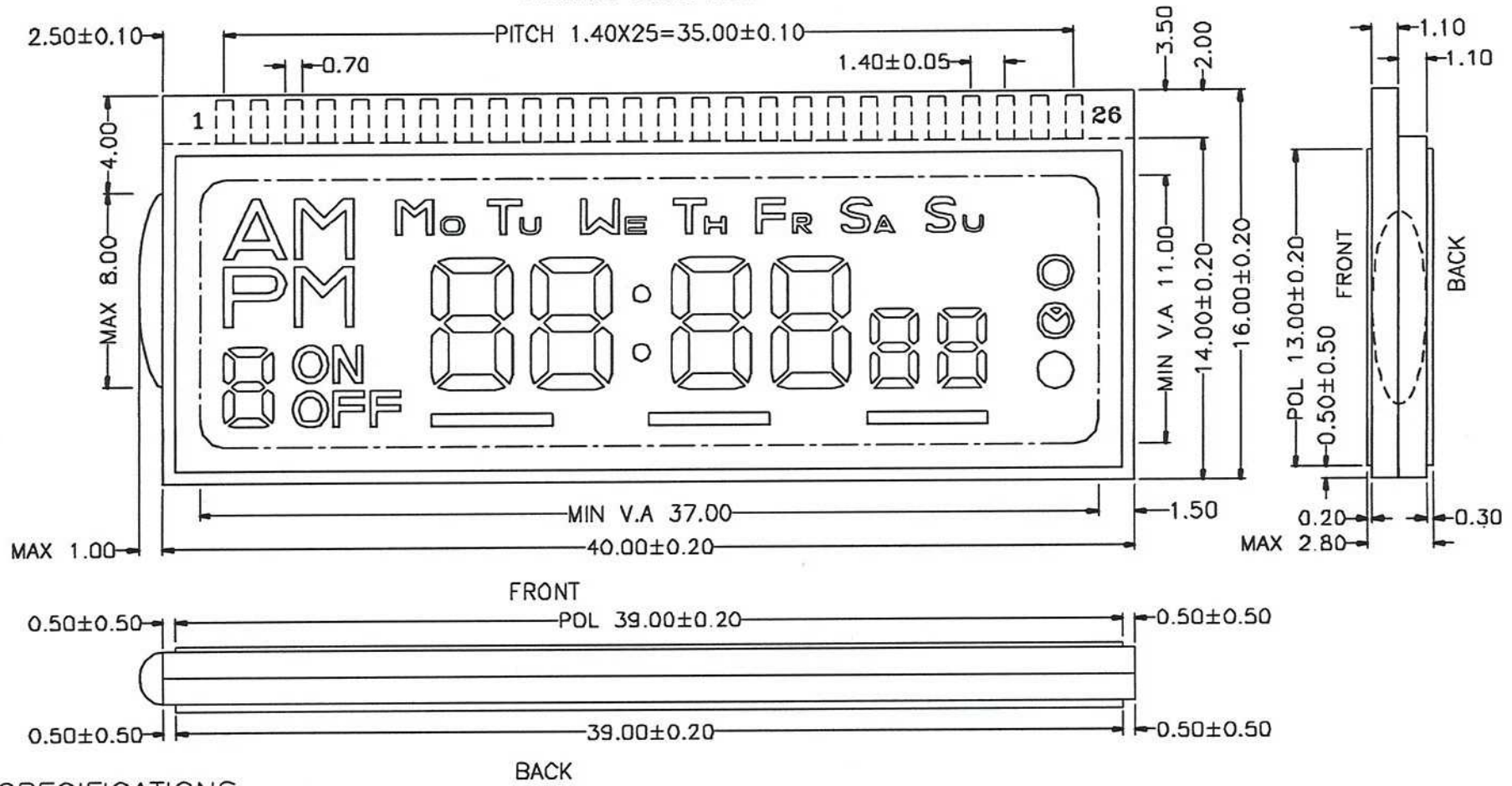


REV.	DESCRIPTION	DATE
------	-------------	------



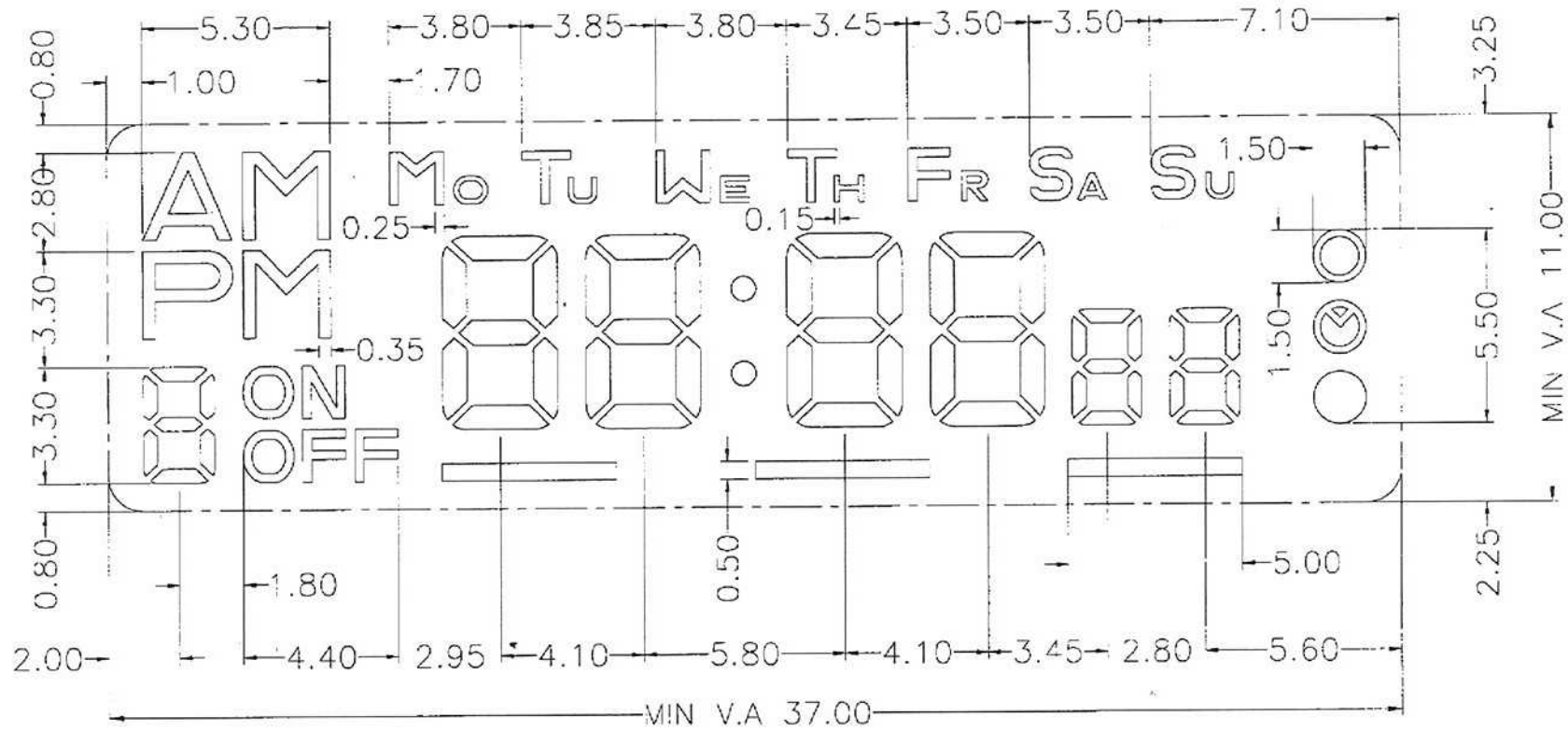
VIEWING DIRECTION



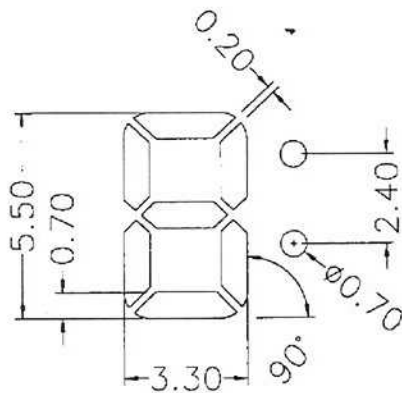
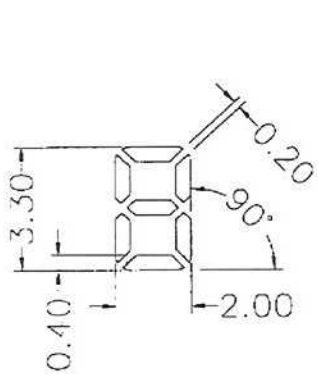
**SPECIFICATIONS**

FRONT POLARIZER : TRANSMISSIVE,ADHESIVE (39.00mm X 13.00mm)  
 BACK POLARIZER : REFLECTIVE,ADHESIVE (39.00mm X 13.00mm)  
 STORAGE TEMP : -10°C TO +60°C  
 OPERATING TEMP : 0°C TO +55°C  
 VIEWING DIRECTION : 12 O'CLOCK  
 DRIVE CONDITION : 1/3 DUTY, 1/3 BIAS, 3 V  
 DISPLAY MODE : TN, POSITIVE MODE  
 CUSTOMER P/N :  
 MKT P/N: L02042602

SCALE: N.T.S.		DRAWING NO: 993161G
SHEET: 1 OF 6		
GENERAL TOL: 0.20 MM	UNITS MM	DATE:
APPROVALS	DATE	30-APR-2002
APP		
CHK		
DWN X.M.Z	30/APR	DO NOT SCALE THIS DRAWING.

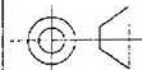


参考用  
REFERENCE



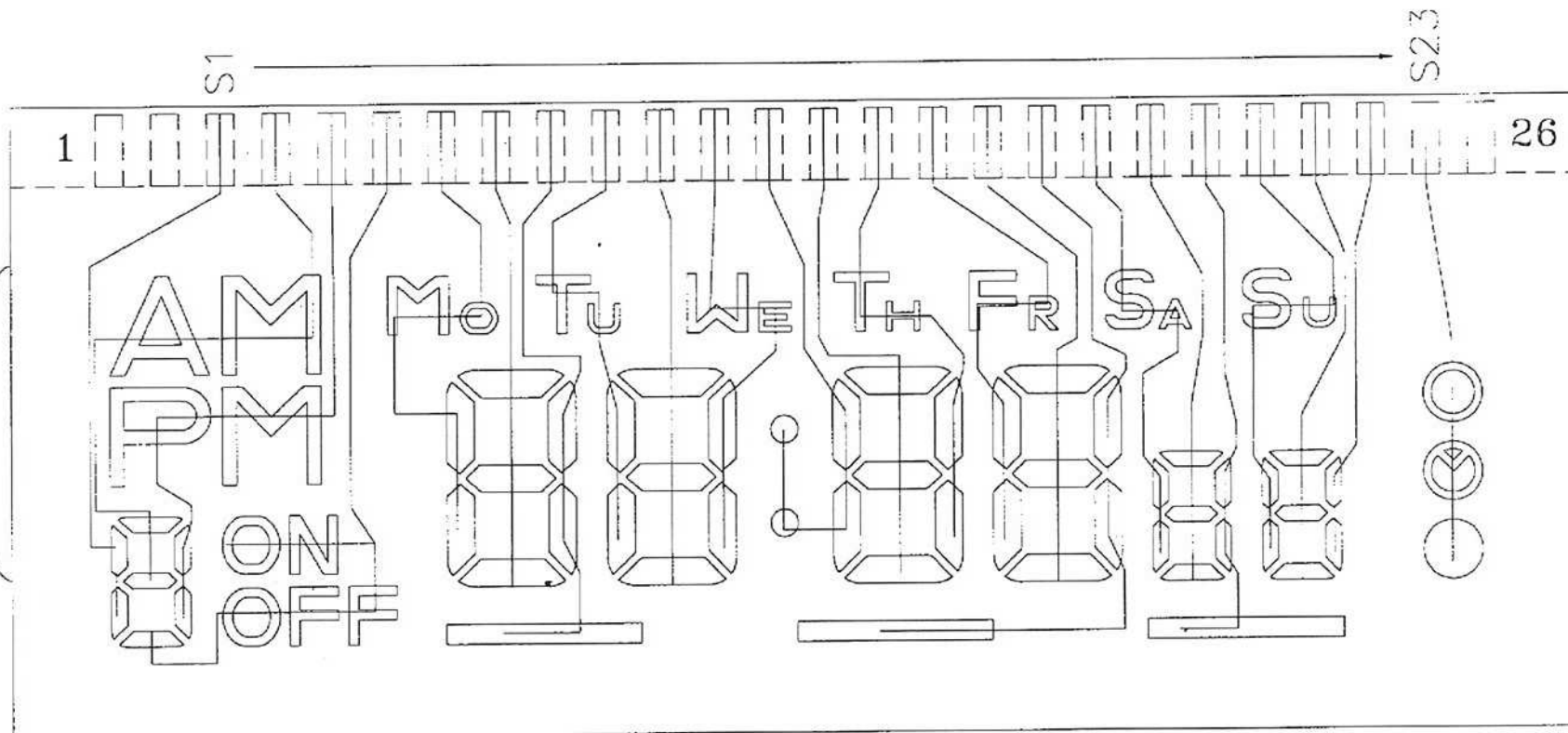
SCALE: N.T.S.	
SHEET: 4 OF 6	
GENERAL TOL. 0.20 MM	UNITS MM
APPROVALS	DATE
APP <i>T.M.Z.</i>	8/May
CHK <i>HR</i>	08/May
DWN X.M.Z	30/APR

DO NOT SCALE THIS DRAWING.



PROJECTION

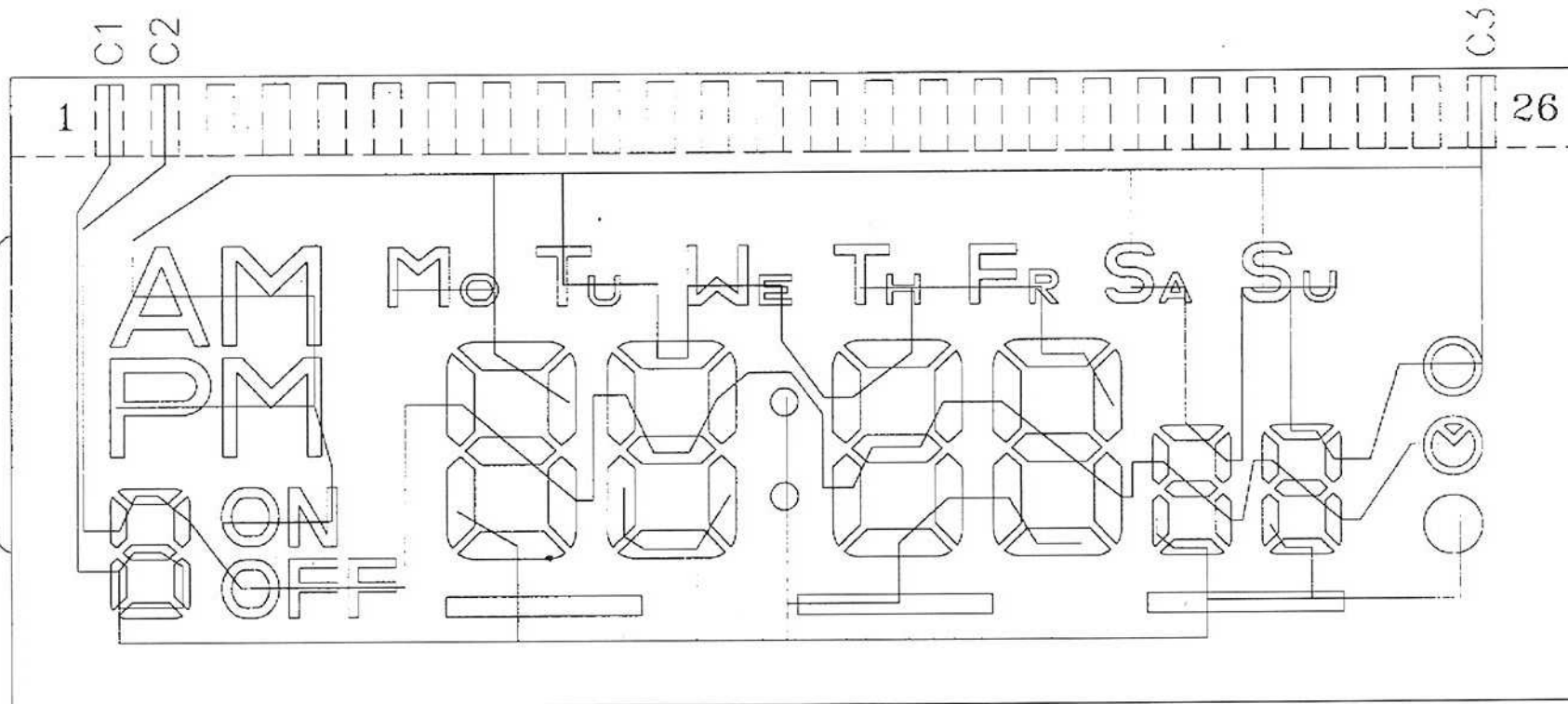
DRAWING NO: 99316'G
DATE: 30-APR 2002



参  
考  
用  
REFERENCE

SEG

SCALE: N.T.S.			
SHEET: 5 OF 6			
GENERAL TOL. 0.20 MM	UNITS MM		
APPROVALS	DATE		DRAWING NO: 993161C
APP <i>Tany</i>	8/10/04		DATE:
C-K <i>HL</i>	08/10/04		30-APR-2002
DWN X.M.Z	30/APR		DC NOT SCALE THIS DRAWING.



参考用  
 REFERENCE

COM

SCALE: N.T.S.			DRAWING NO: 993161G
SHEET: 6 OF 6			
GENERAL TOL. 0.20 MM	UNITS MM		DATE: 30-APR-2002
APPROVALS	DATE		
APP <i>[Signature]</i>	8/May		
CHK <i>[Signature]</i>	08/May		
DWN X.M.Z	30/APR	DC NOT SCALE THIS DRAWING.	PROJECTION