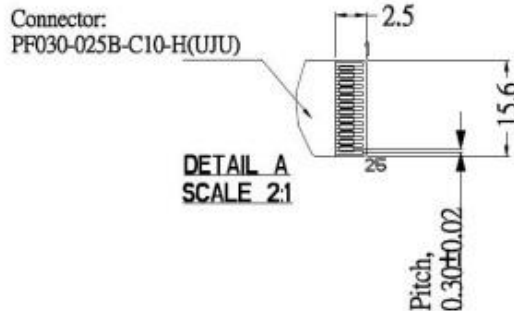
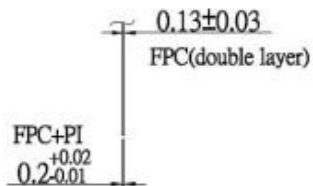
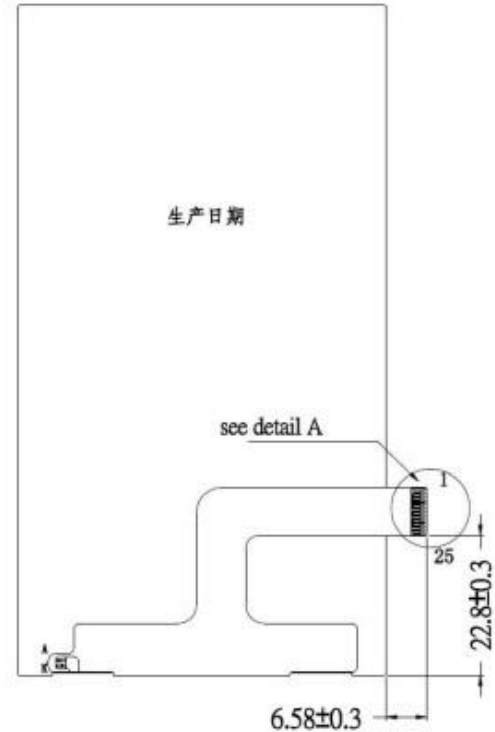


1.95±0.05
(EXCLUDE FPC)

2.15Max
(Include FPC & BL)



PIN Definition	
No.	SYMBOL
1	IC_ID_1
2	IC_ID_0
3	RST
4	GND
5	NC
6	NC
7	GND
8	DSI_DIP
9	DSI_DIN
10	GND
11	DSI_CP
12	DSI_CN
13	GND
14	DSI_DOP
15	DSI_DON
16	GND
17	NC
18	NC
19	GND
20	TE
21	VDD
22	IOVDD
23	LEDA
24	LEDK
25	LED_PWM

Display type:TFT/Normal Black
 Display mode:Transmissive
 Interface: 2通道MIPI VIDEO
 The best Viewing direction: ALL
 Operating temperature: -20° C ~ +70° C
 Storage temperature: -30° C ~ +80° C
 建议客户机壳以MDS V.A为开窗尺寸
 泡棉视窗单边小于LCD CF 0.5mm