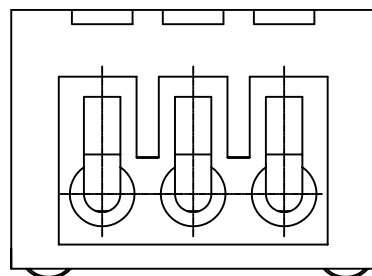
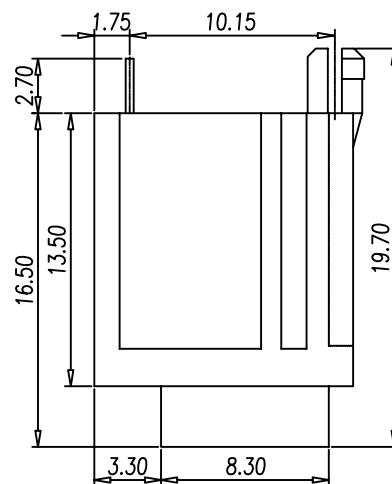
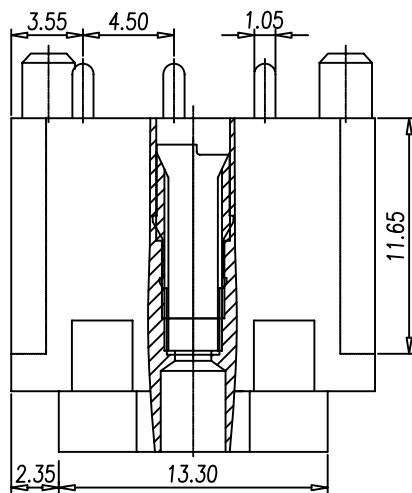
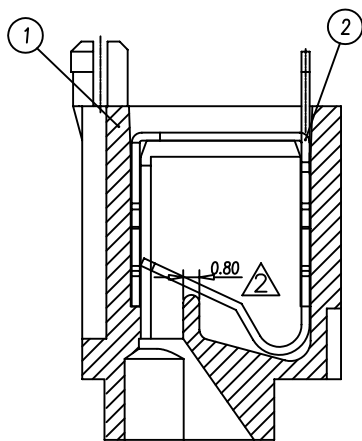


P.C.B. LAYOUT



NOTES:

1. Rating: xxx V xxA
PITCH: 4.50mm
2. Insulation Withstands Voltage:
AC 2000V/MIN
3. Insulation Resistance:
1000MΩ or more at DC500V
4. Using Temperature Range:
-40°C ~ +130°C
5. Undimensioned Tolerances:

—	∩	∇	0.05/10
⊥	//	≡	0.2/10
PITCH ERROR			0.05/10
UNDIMENSIONED TOLERANCES			±0.3

2	CLAMP	0032B00700	3	BRONZE	Tin Plated
1	HOUSING	0032A70100	1	PBT(G15)	WHITE
ITEM	NAME OF PART	NO. OF PART	Q'TY	MATERIAL	NOTES
DWG.	L H J	DATE 02.04.30	UNITS	MM	SHEET/OF 1/1
CHK.		DATE	SCALE	3.5:1 (:)	⊕
APP.		DATE			
				NAME	0032-0503V
				DWG NO.	SP-02-0032503V

△	客户要求	YFY	03.06.27
REV.	CONTENT	CHK.	DATE



DINKLE

DINKLE ENTERPRISE CO.,LTD