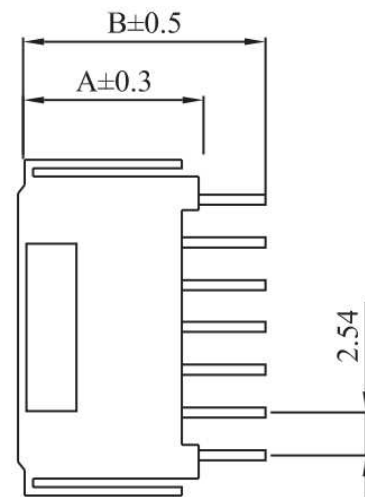
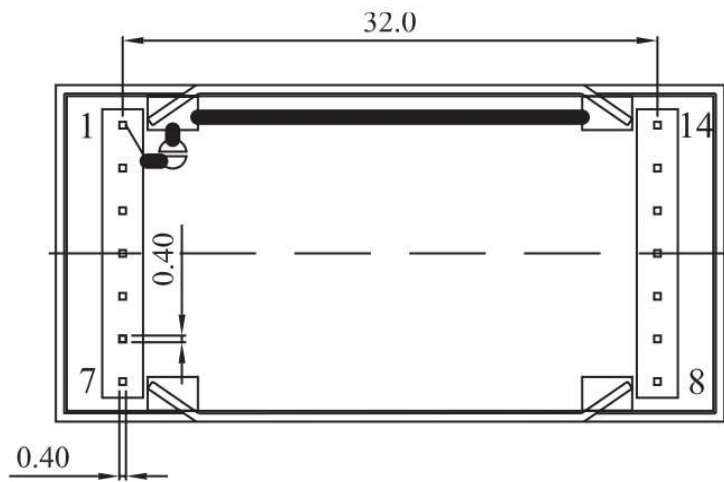
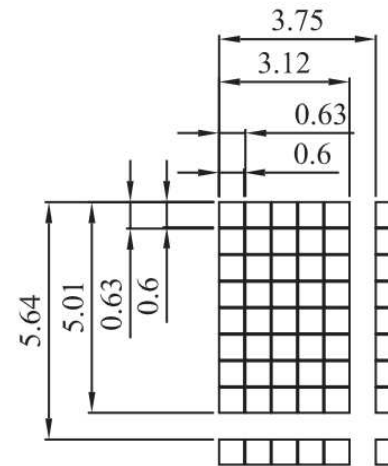


PIN1



	A	B
NO B/L	7.8	11.5
LED B/L	10.8	14.5



DETAIL DOTS