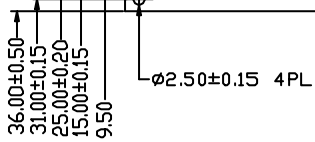
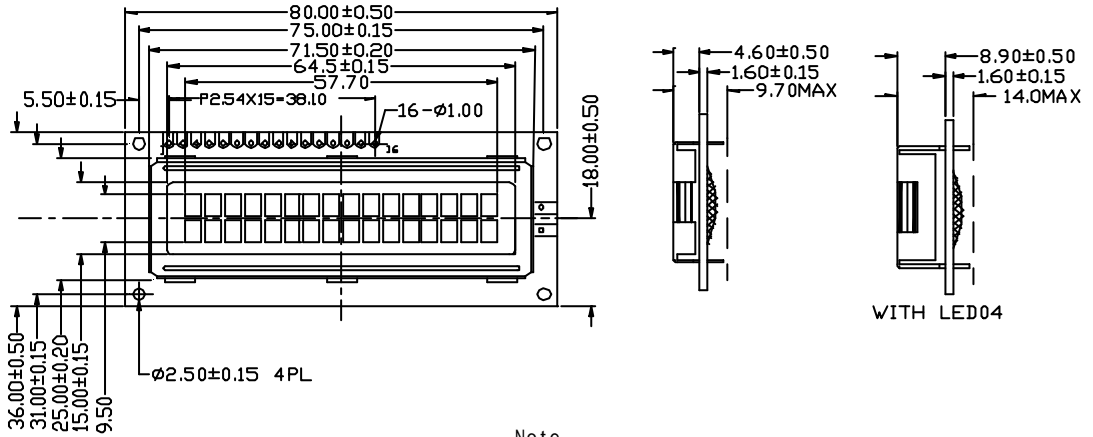


6 . PHYSICAL DIMENSION



CHARACTER DOT PATTERN

Note

1. All dimension are in mm
2. Glass thickness: Front--1.1 Back--1.1
3. Duty:1/16 Bias 1/5 Vop:4.5V
4. STN(TN), Positive, Transflective
5. Connector: Zebra
6. Operating Temperature: 0-- +50deg
Storage Temperature: -10-- +60deg
7. Viewing direction: 6 O'clock
8. Module type: COB
9. Backlight: (Yellow-Green)LED

7..MECHANICAL DATA

| ITEM | SPECIFICATION | UNIT |
|----------------------|--------------------|------|
| Module Size(W×H×T) | 80.0×36.0×9.7(14) | mm |
| View Area(W×H) | 64.5.0×15.0 | mm |
| Active Area(W×H) | 57.7×9.5 | mm |
| Number of Character | 16character×2 line | char |
| Dot Pitch(W×H) | 0.55×0.50 | mm |
| Dot Size(W×H) | 0.60×0.55 | mm |
| Character Pitch(W×H) | 3.65×5.15 | mm |

8 .PIN CONFIGURATION

| ITEN | SYMBOL | DESCRIPTION |
|-------|--------|----------------------------------|
| 1 | Vss | Ground |
| 2 | Vdd | Power supply |
| 3 | V0 | Supply Voltage for VLcd |
| 4 | RS | Data/instruction register select |
| 5 | R/W | Read/Write select |
| 6 | E | Read-Write enable strobe |
| 7 | DB0 | Data bus |
| 8 | DB1 | Data bus |
| 9 | DB2 | Data bus |
| 10 | DB3 | Data bus |
| 11 | DB4 | Data bus |
| 12 | DB5 | Data bus |
| 13 | DB6 | Data bus |
| 14 | DB7 | Data bus |
| 15(A) | LED(+) | LED Backlight + |
| 16(K) | LED(-) | LED Backlight - |