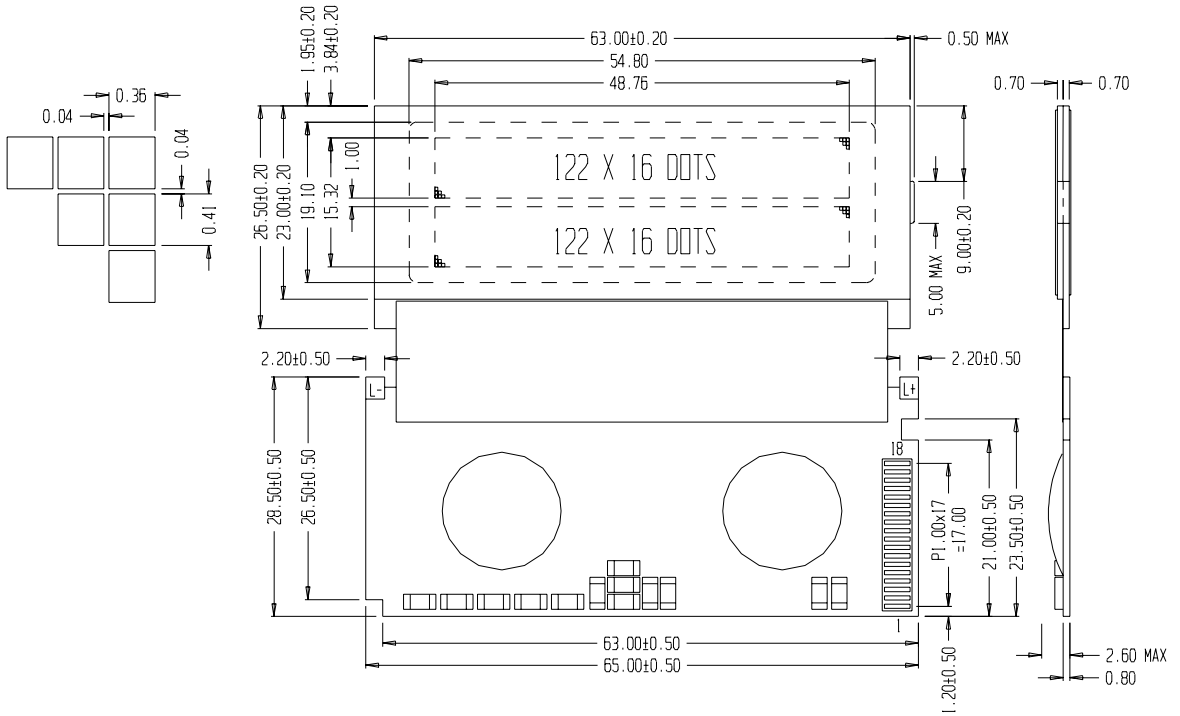


PHYSICAL DATA

Item	Contents	Unit
LCD type	FSTN	---
LCD duty	1/32	---
LCD bias	1/5	---
Viewing direction	6	o'clock
Module size (W×H×T)	63 × 28.5 × 2.6MAX (2.48" × 1.12" × 0.10"MAX)	mm
Viewing area (W×H)	54.8 × 19.1 (2.16" × 0.75")	mm
Number of dots	122 × 32	dots
Dot size (W×H)	0.36 × 0.41 (0.014" × 0.016")	mm
Dot pitch (W×H)	0.40 × 0.45 (0.016" × 0.018")	mm

EXTERNAL DIMENSIONS



BLOCK DIAGRAM

1	2	3	4	5	6	7	8	9	10	11	12	13	14	15	16	17	18
VDD	VSS	V5	RST	E1	E2	RW	AO	DB0	DB1	DB2	DB3	DB4	DB5	DB6	DB7	NC	NC

