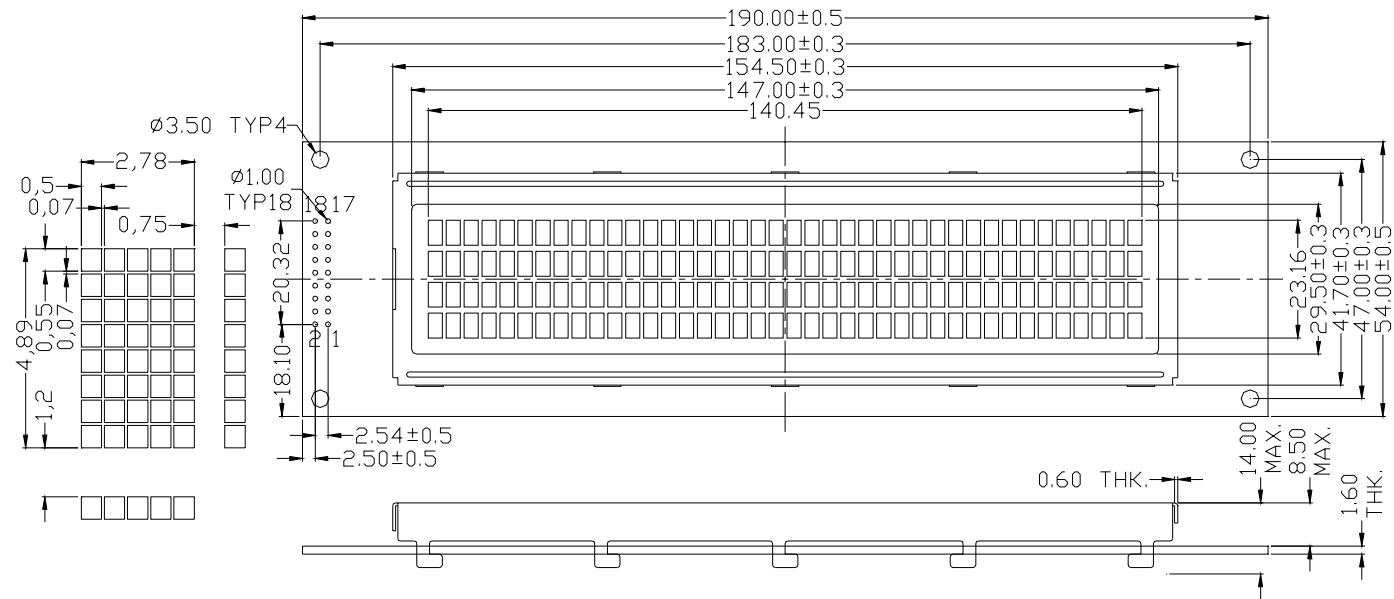


■ PHYSICAL DATA

Item	Contents	Unit
LCD type	STN	---
LCD duty	1/16	---
LCD bias	1/5	---
Viewing direction	6	o'clock
Module size (W×H×T)	190 × 54 × 14MAX (7.48" × 2.13" × 0.55"MAX)	mm
Viewing area (W×H)	147 × 29.5 (5.79" × 1.16")	mm
Number of characters (characters×lines)	40 × 4	---
Character matrix (W×H)	5 × 8	dots
Character size (W×H)	2.78 × 4.89 (0.109" × 0.193")	mm
Dot size (W×H)	0.50 × 0.55 (0.020" × 0.022")	mm
Dot pitch (W×H)	0.57 × 0.62 (0.022" × 0.024")	mm

■ EXTERNAL DIMENSIONS



■ BLOCK DIAGRAM

