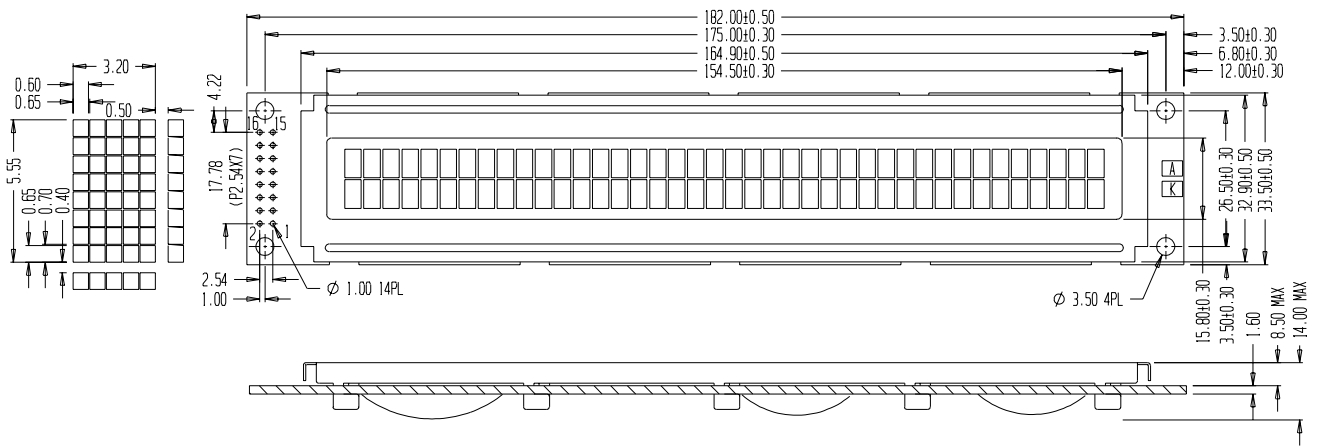


■ PHYSICAL DATA

Item	Contents	Unit
LCD type	STN	---
LCD duty	1/16	---
LCD bias	1/5	---
Viewing direction	6	o'clock
Module size (W×H×T)	182 × 33.5 × 14MAX	mm
Viewing area (W×H)	154.5 × 15.8	mm
Number of characters (characters×lines)	40 × 2	---
Character matrix (W×H)	5 × 8	dots
Character size (W×H)	3.20 × 5.55	mm
Dot size (W×H)	0.60 × 0.65	mm
Dot pitch (W×H)	0.65 × 0.70	mm

■ EXTERNAL DIMENSIONS



■ BLOCK DIAGRAM

1	2	3	4	5	6	7	8	9	10	11	12	13	14	15	16
VSS	VDD	VO	RS	R/W	E	DB0	DB1	DB2	DB3	DB4	DB5	DB6	DB7	BLA	BLK

