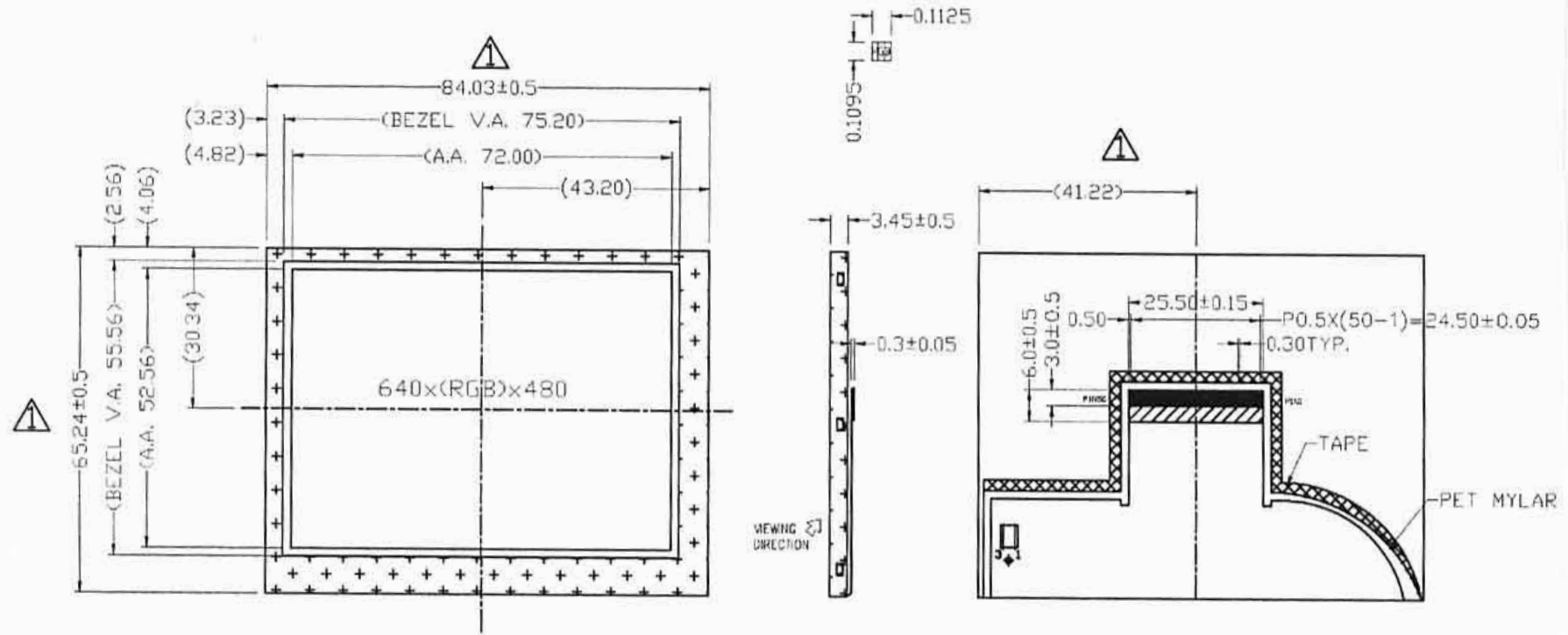


(R.G.B SIZE FOR CUSTOMER REFERENCE ONLY)



1	2	3	4	5	6	7	8	9	10	11	12	13	14	15	16	17
DIO1	VSS2	VDD1	CLK	R/L	R0	R1	R2	R3	R4	R5	VSS2	G0	G1	G2	G3	G4
18	19	20	21	22	23	24	25	26	27	28	29	30	31	32	33	34
G5	B0	B1	B2	B3	B4	B5	LD	REV	POL	DIO2	VSS2	V3	V5	V7	V8	V10
35	36	37	38	39	40	41	42	43	44	45	46	47	48	49	50	
V12	VSS2	VDD2	VCOM	OB	U/D	CKV	STVU	STVD	VGG	VSS1	VCC	VEE	VLBD	GLEDD2	GLEDD1	

TLM-T350MPV-01		
Display type	3.5" TFT, 262K color, Stripe, Transmissive	
Display Resolution	640 x RGB x 480	
Surface Treatment	Anti Glare	
Operation Temperature	-20 to 70 Deg C	
Storage Temperature	-20 to 70 Deg C	
Backlight	LED	
Brightness	250 cd/m2 (typ.)	
Contrast	200 : 1 (typ.)	
Viewing Direction	6 o'clock	
Viewing Angle (CR>=10)	15/35/50/50 (U/D/L/R)	
Supply Voltage for Source Driver	VDD1	3.3V
	VDD2	10V (typ.)
	VGG	17V (typ.)
Supply Voltage for Gate Driver	VEE	-10V (typ.)
	VCC	3.3V (typ.)
	VLED	9.6V (typ.)
Supply Voltage of LED backlight	VLED	9.6V (typ.)
Supply Current of LED backlight	ILBD	20mA (typ.)