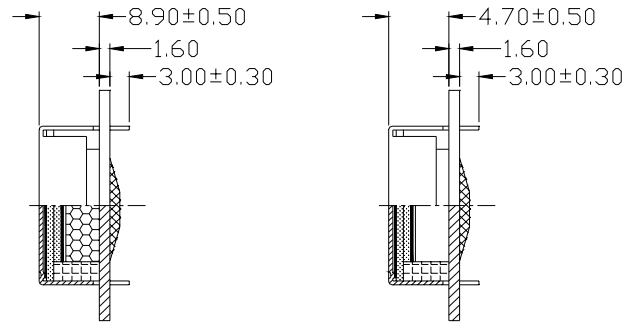
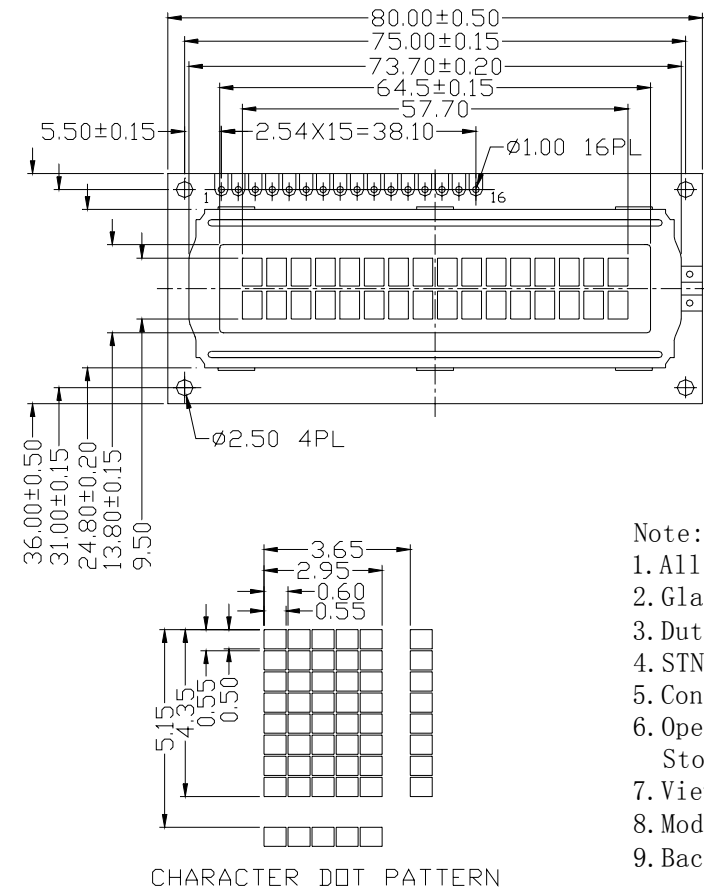


## 6. PHYSICAL DIMENSION



### Note:

1. All dimension are in mm
2. Glass thickness: Front--1.1 Back--1.1
3. Duty: 1/6 Bias: 1/5 Vop: 4.5V
4. STN, Positive, Transflective
5. Connector: Zebra
6. Operating Temperature: 0-- +50deg  
Storage Temperature: -10-- +60deg
7. Viewing direction: 6 O' clock
8. Module type: COB
9. Backlight: (Yellow-Green) LED

## 7. MECHANICAL DATA

ITEM	SPECIFICATION	UNIT
Module Size(W*H*T)	84.0×36.0×9.3(13.5)	mm
View Area(W*H)	64.5×13.8	mm
Active Area(W*H)	57.7×9.5	mm
Number of Character	16character×2 line	char
Dot Pitch(W*H)	0.60×0.55	mm
Dot Size(W*H)	0.50×0.50	mm
Character Pitch(W*H)	3.65×5.15	mm

## 8. PIN CONFIGURATION

ITEN	SYMBOL	DESCRIPTION
1	Vss	Ground
2	Vdd	Power supply
3	V0	Supply Voltage for VLcd
4	RS	Data/instruction register select
5	R/W	Read/Write select
6	E	Read-Write enable strobe
7	DB0	Data bus
8	DB1	Data bus
9	DB2	Data bus
10	DB3	Data bus
11	DB4	Data bus
12	DB5	Data bus
13	DB6	Data bus
14	DB7	Data bus
15(A)	LED(+)	LED Backlight +
16(K)	LED(-)	LED Backlight -