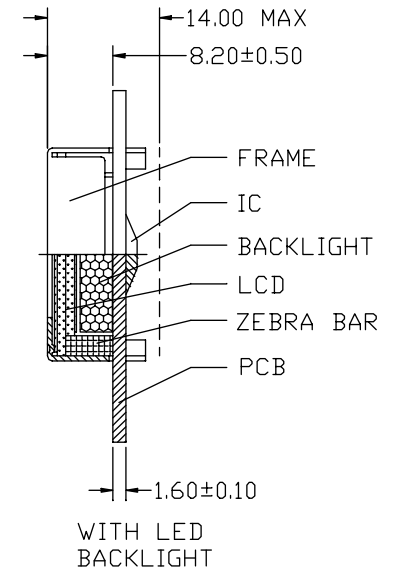
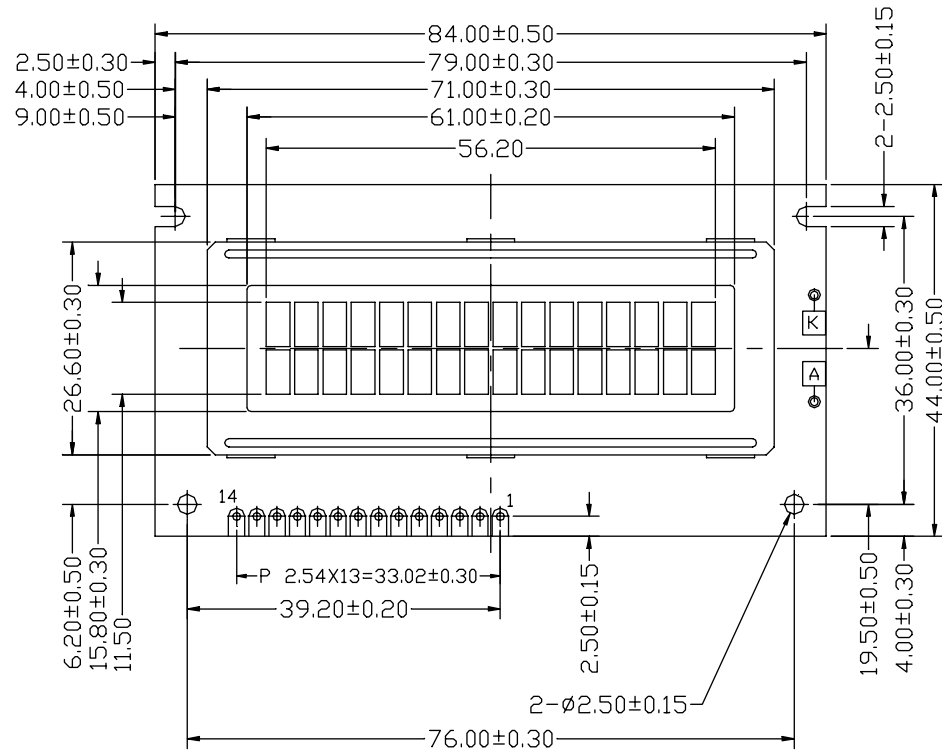


CHARACTER DOT PATTERN



INTERFACE CONNECTOR PIN ASSIGNMENT

14 PIN CONNECTION	1	2	3	4	5	6	7	8	9	10	11	12	13	14	A	K
		VSS	VDD	VO	RS	R/W	E	DB0	DB1	DB2	DB3	DB4	DB5	DB6	DB7	LED(+)

