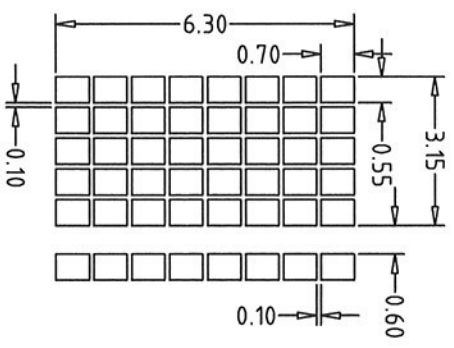
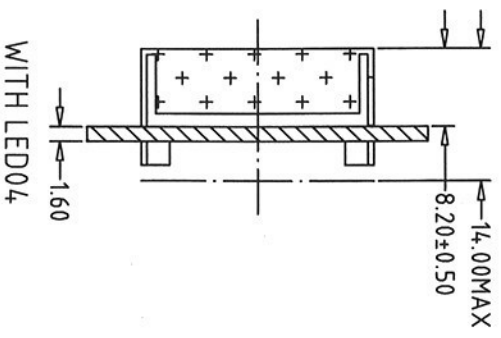
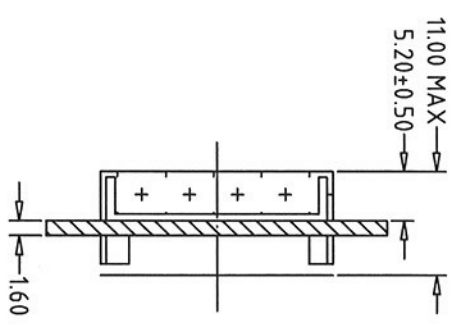
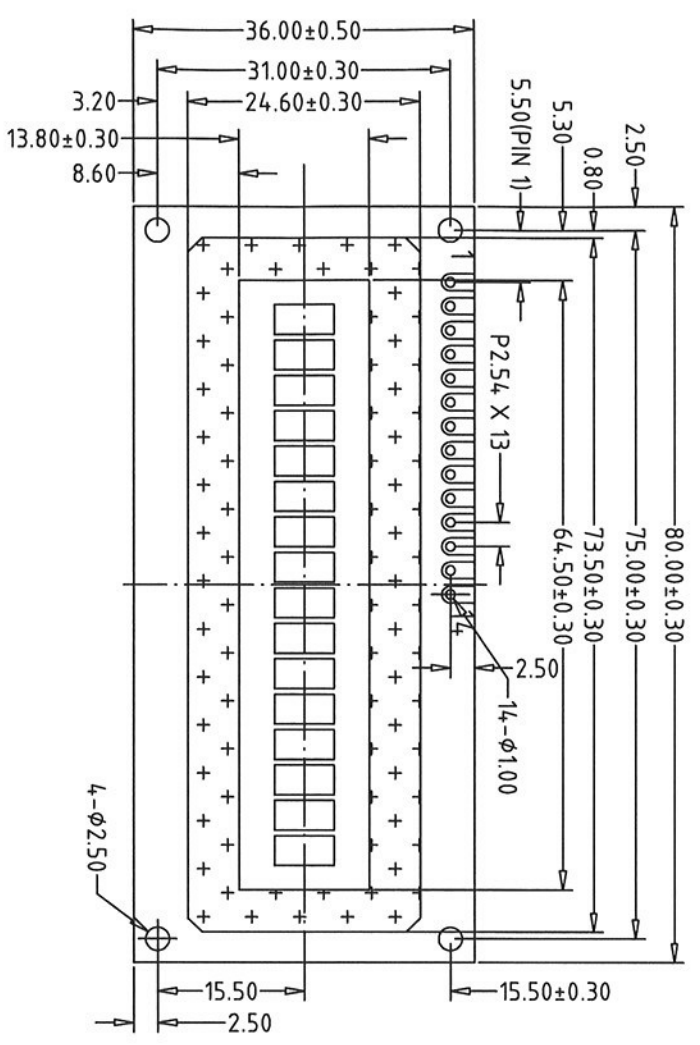


EMIBC16102



14 PIN CONNECTION	1	2	3	4	5	6	7	8	9	10	11	12	13	14
	VSS	VDD	V0	RS	R/W	E	DB0	DB1	DB2	DB3	DB4	DB5	DB6	DB7

Specification:

16 characters x 1 lines

character size: 3.15W X 5.55H mm (5 X 7 dots)

3.15W X 6.30H mm (5 X 8 dots)