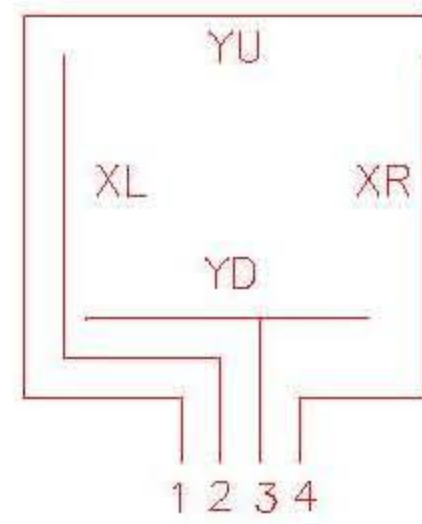


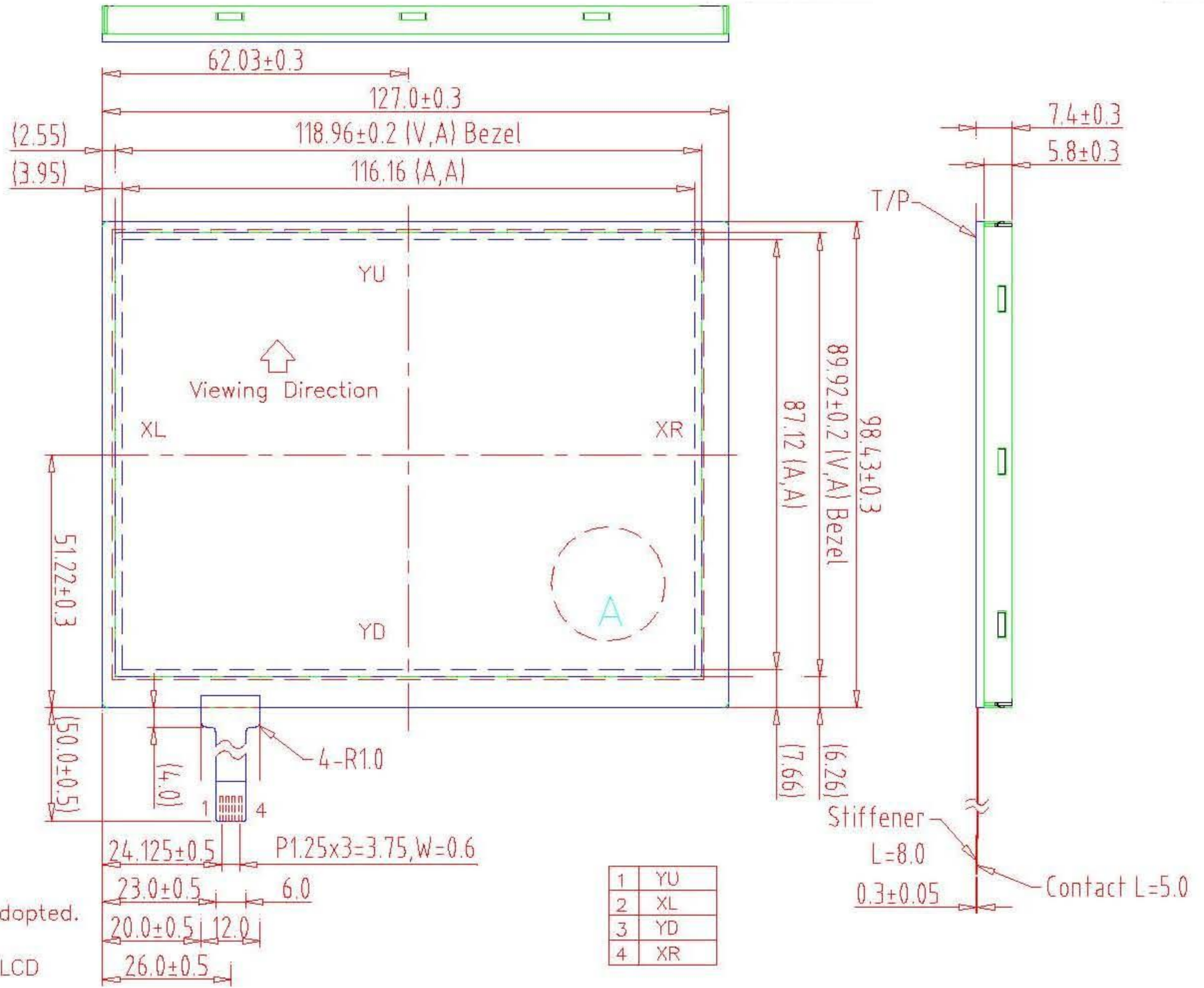
A Block



CIRCUIT DIAGRAM

Note:

1. Unless indicated, Tolerance Grade "B" is adopted.
2. UV Glue For OLB Protection.
3. LCD 640x480 (R.G.B) TFT LCD=>5.7" TFT LCD



Note:

1. Unless indicated, Tolerance Grade "B" is adopted.
2. UV Glue For OLB Protection.
3. LCD 640x480 (R.G.B) TFT LCD=>5.7" TFT LCD