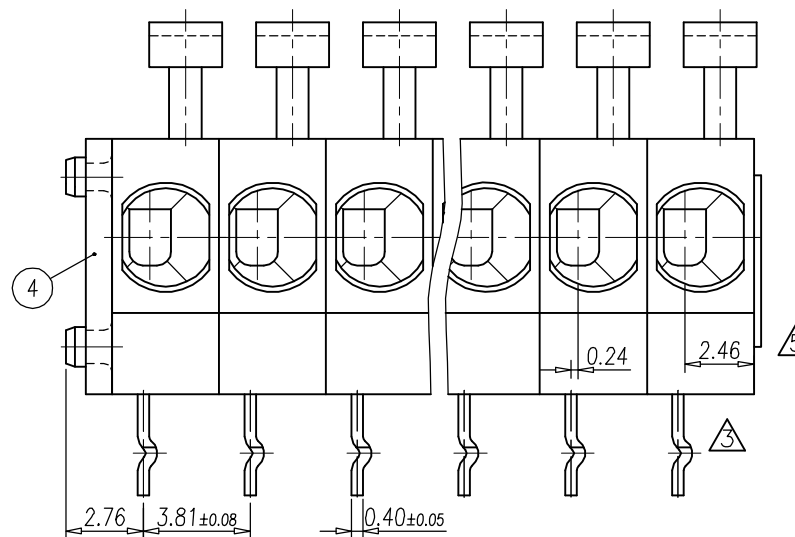
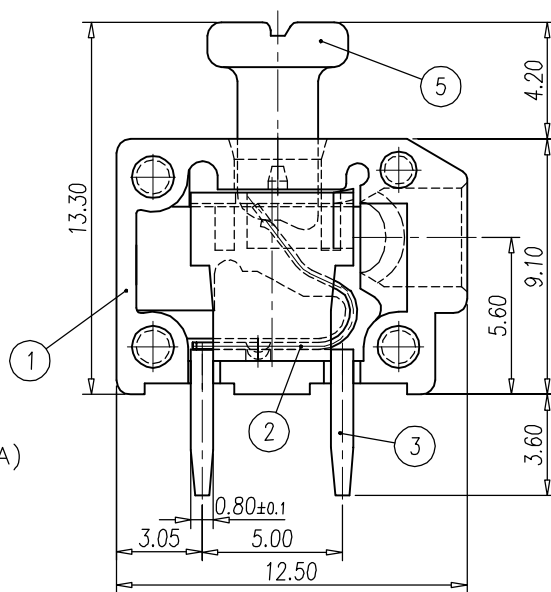
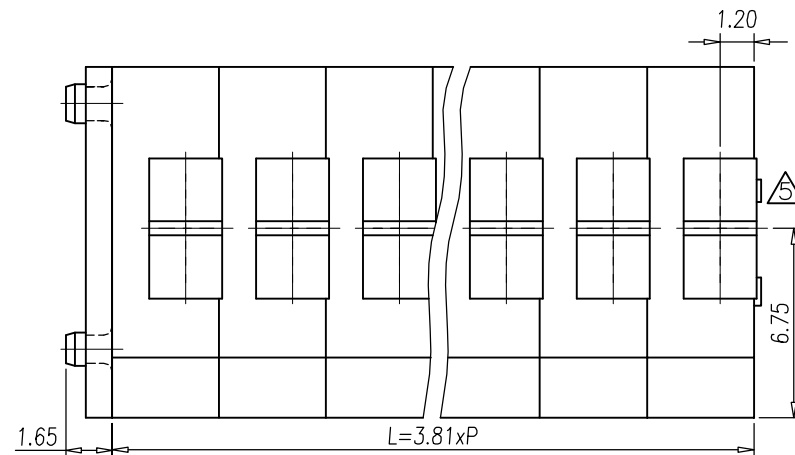


P.C.B. LAYOUT(REF)



NOTES:

1. Rating:300V 10A (IEC 250V 10A)  
PITCH: 3.81mm
2. Insulation Withstands Voltage:  
AC 1500 V/MIN
3. Insulation Resistance:  
500MΩ or more at DC500V
4. Using Temperature Range:  
-40°C~+105°C
5. Suitable Electric Wire: 20~14AWG (IEC 1.5mm<sup>2</sup>)
6. Undimensioned Tolerances:

—	∩	□	0.05/10
⊥	//	≡	0.2/10
PICH ARRAY			0.05/10
UNDIMENSIONS TOLERANCES			±0.3

5	LEVER	0056A5XX00	P	POM	WHITE
4	END COVER	0056A4XX00	1	PA66(V0)	<del>MO02</del> MO01
3	SOLDER PIN	0056B00600	P	COPPER	
2	CLAMP	0056B00400	P	STEEL	
1	HOUSING	0056A1XX00	P	PA66(V0)	<del>MO02</del> MO01
ITEM	NAME OF PART	NO. OF PART	Q'TY	MATERIAL	NOTES

△5	工程變更	Y.y	05.05.16	DWG.	RUAN	DATE	98.08.25	UNITS	MM	SHEET/OF	1/2
△4	工程變更, 共2處	梁紅英	01.01.11	CHK.		DATE		SCALE	5:1 ( : )	⊕	
△3	工程變更, 共1處	XJIANG	00.12.12	APP.		DATE					
△2	結構重新設計	彭祥聖	99.11.22	<b>DINKLE</b> ENTERPRISE CO.,LTD				NAME	144RA-□□P1		
REV.	CONTENT	CHK.	DATE					DWG NO.	SP-02-144RAP10		