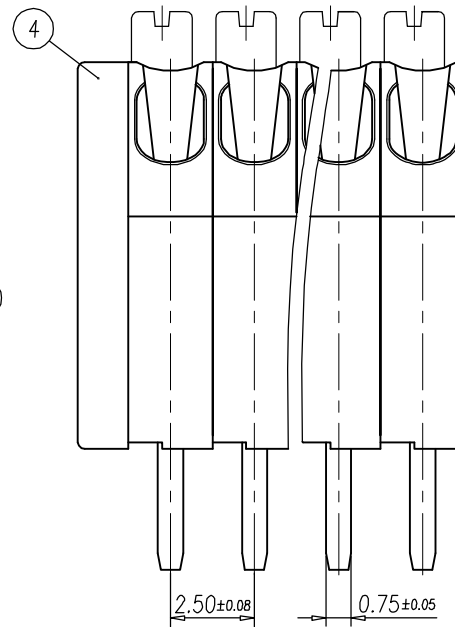
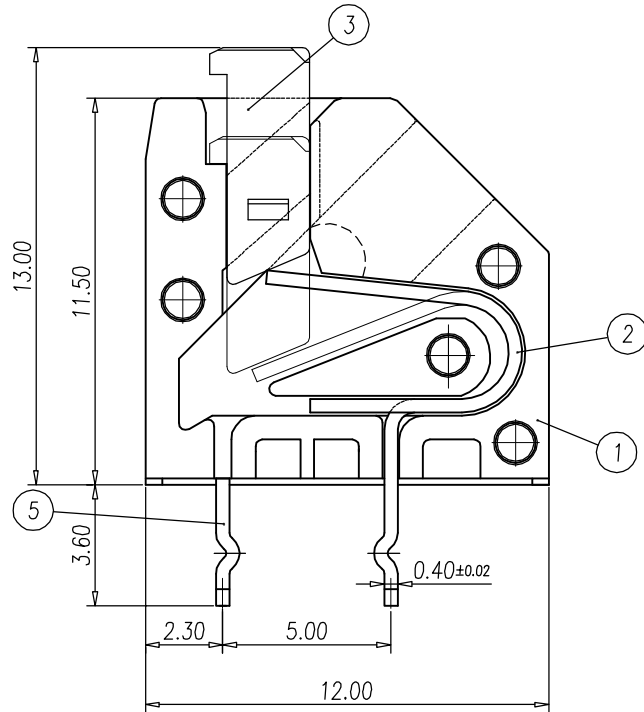


NOTES:

1. Rating: 300V 5 A (IEC 450V)
PITCH: 2.50mm
2. Insulation Withstands Voltage:
AC 2500V/MIN
3. Insulation Resistance:
500MΩ or more at DC500V
4. Using Temperature Range:
-40°C ~ +105°C
5. Suitable Electric Wire: 22~20 AWG

6. Undimensioned Tolerances:

—	∩	∇	0.05/10
⊥	//	≡	0.2/10
PITCH ERROR			0.05/10
UNDIMENSIONS TOLERANCES			±0.3



ITEM	NAME OF PART	NO. OF PART	Q'TY	MATERIAL	NOTES
5	CLAMP	0136B00200	$\frac{(P-1)}{2}$ $\frac{P}{2}$	BRONZE	P高奇數時 P高偶數時
4	COVER	0136A3XX00	1	PA66	GREY
3	LEVER	0136A2XX00	P	PA66	GREY
2	CLAMP	0136B00100	$\frac{(P+1)}{2}$ $\frac{P}{2}$	BRONZE	P高奇數時 P高偶數時
1	HOUSING	0136A1XX00	P	PA66	GREY

DWG.	JW	DATE	04,12,23	UNITS	MM	SHEET/OF	1/2
CHK.		DATE		SCALE	6:1 (:)	⊕	
APP.		DATE		NAME	0136-10XX		
REV.	CONTENT	CHK.	DATE	DINKLE ENTERPRISE CO.,LTD		DWG NO.	SP-02-013610XX